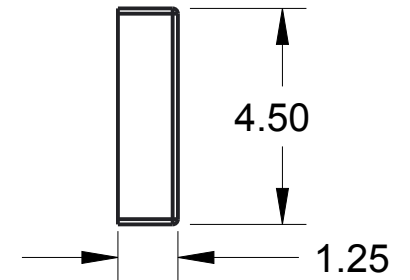
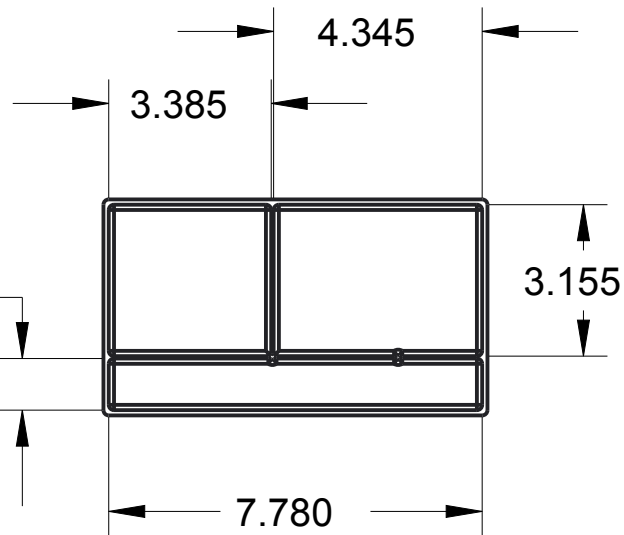



ALL DIVIDERS 0.05 THICK



TOLERANCES		WORKING PROCESS		DATE		PART NAME	
DEC PLACES	TOLS	Injection Molding		12/10/2015		base	
ONE X.X	± 0.02	MATERIAL		HEAT TREATMENT		PART CODE	
TWO X.XX	± 0.01	Polycarbonate				2122235	
THREE X.XXX	± 0.005	SURFACE TREATMENT		HARDNESS		DIVISION	
ANGLES	± 1/2°	APPROVED	DESIGNER	SCALE	OUT OF SCALE	SHEET 1 OF 1	
			AM	0.250	YES : NO	 UNC CHARLOTTE	
			CHECKED	UNIT	GT CODE		
				IN			